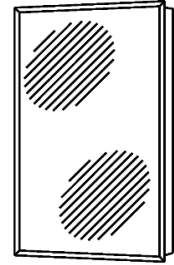


**Bel Aire
MEDICINE CABINET**

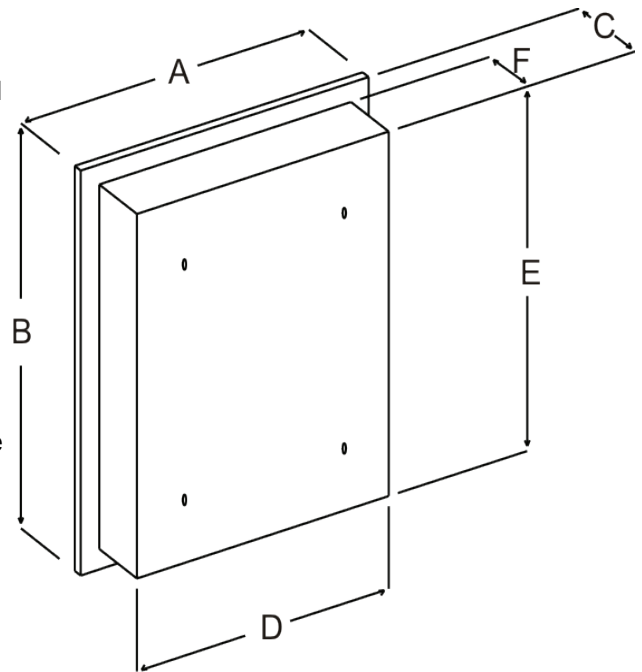


FEATURES/TYPICAL SPECIFICATIONS

- Surface Mount installation
- Formed and welded surface design steel housing (WB/ST)
 - 24 gauge steel construction with white, heat cured, acrylic paint finish
- Framed mirror door
 - Polished Stainless Steel trim—top and bottom door edges (SS8)
 - 3/16" thick float glass mirror door front with flat polished edges
 - 24 gauge steel door back with white, heat cured, acrylic paint finish
- 90° stop hinge (HG01)
 - 26" hinge is welded to door and mechanically fastened to cabinet body
- Magnetic catch in cabinet body flange aligns to stainless steel striker plate on the door (2 typical)
- Reversible for left-hand or right-hand door swing
- High-Impact Polystyrene shelves, adjustable (3 typical)
- Multiple shelf positions via fixed shelf support in the sides of the cabinet housing
- Includes installation hardware
- Pallet Quantity = 30 units

Finishes:

- Housing: PT01—Basic White
- Mirror: Flat Mirror
- Frame: SS8—Polished Stainless Steel



		DIMENSIONS IN INCHES*					
Model #	Description	A	B	C	D	E	F
626	Bel Aire 1DR 13x36 SS8 WB/ST PC/FX	13	36	5-1/8	12-7/8	34-7/8	4-3/8

REFERENCE	QTY.	REMARKS	Project
			Location
			Architect
			Engineer
			Contractor
			Submitted by
			Date

* All models and material specifications are subject to change or withdrawal without notice.